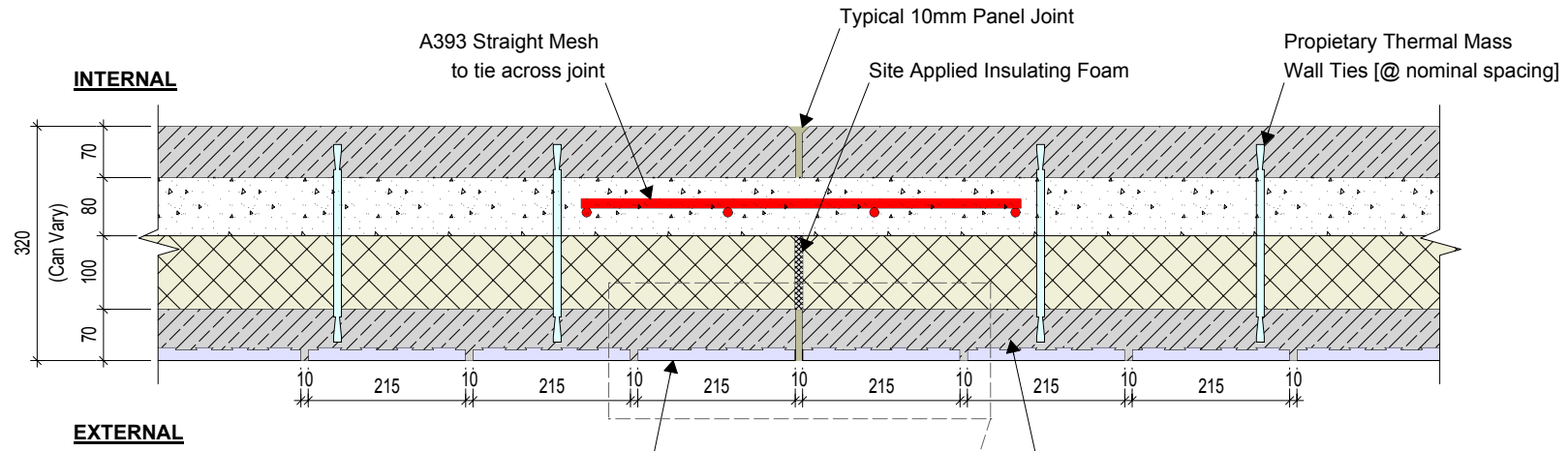


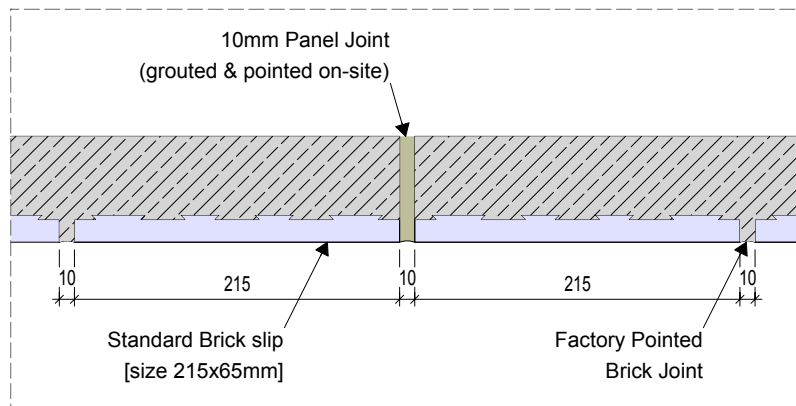
BW101 - Brick Slips to precast @ Panel Joint



Brick Slips bonded to concrete during precast production

Precast KC Twin Wall

70mm Precast Concrete Outer Leaf [Incl. Brick Face]
 PIR Insulation Layer [to required thickness]
 [60mm min] Cavity Filled on-site
 70mm Precast Concrete Inner Leaf



Brick Slip Detail

 <p>KEEGAN PRECAST PRECAST TWIN WALL & FLOOR PRODUCTS</p>	Trammon, Rathmolyon, Co. Meath IRL Tel: +353 (0)46 95 55116 UK Tel: +44 (0)131 516 7507 +44 (0)203 432 4901 Email: info@keeganprecast.com	
	Type:	Typical Precast Twin Wall Details
Detail:	BW101 - Brick Slips to precast @ Panel Joint	
Drawn by: JOB	Date: 18/05/2017	Scale: 1:10